



High-frequency transformer EE13 Series

Parameters/Dimensions:

EE13 Type 1

Information:

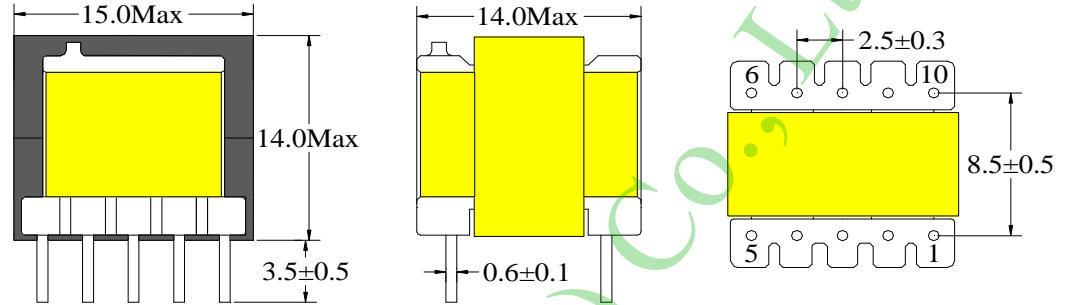
Shape:EE13

1Power:8W

2 Mounting Orientation: Vertical

3 Size: 15 (W) * 14 (L) * 14 (H)

4 Effective Ae (mm²): 16.08



EE13 Type 2

Information:

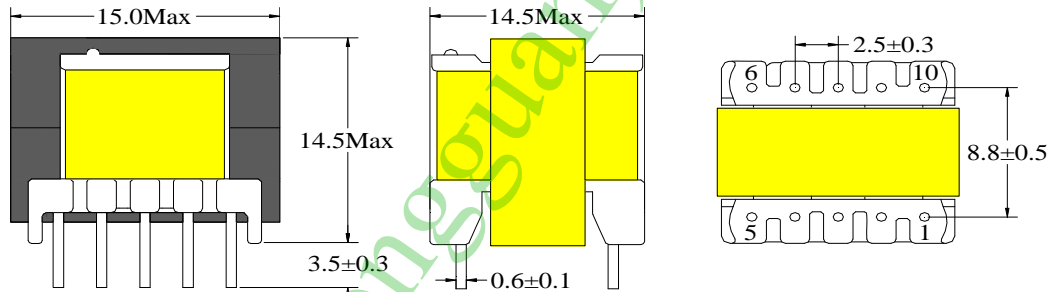
Shape:EE13

1Power:8W

2 Mounting Orientation: Vertical

3 Size: 15 (W) * 14.5 (L) * 14.5 (H)

4 Effective Ae (mm²): 16.08



EE13 Type 3

Information:

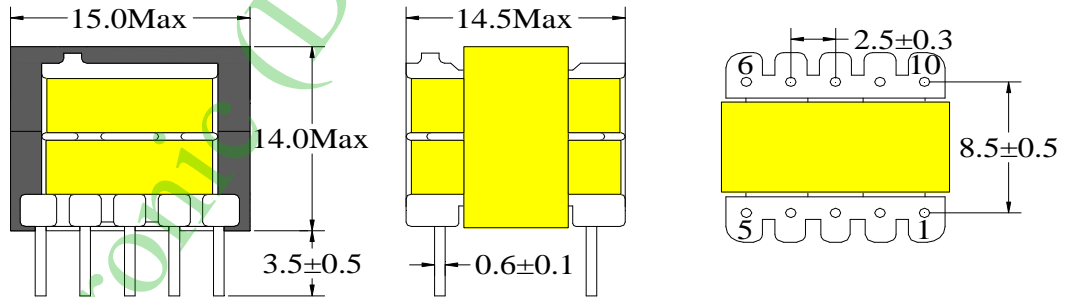
Shape:EE13

1Power:8W

2 Mounting Orientation: Vertical

3 Size: 15 (W) * 14.5 (L) * 14 (H)

4 Effective Ae (mm²): 16.08



EE13 Type 4

Information:

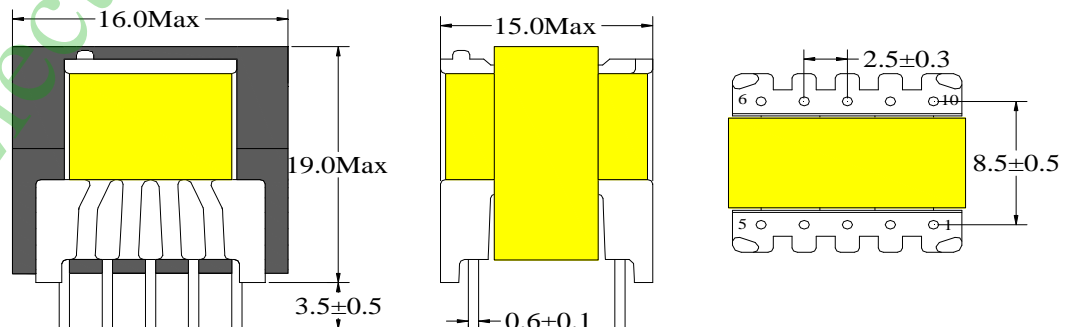
Shape:EE13

1Power:8W

2 Mounting Orientation: Vertical

3 Size: 16 (W) * 15 (L) * 19(H)

4 Effective Ae (mm²): 16.08



EE13 Type 5

Information:

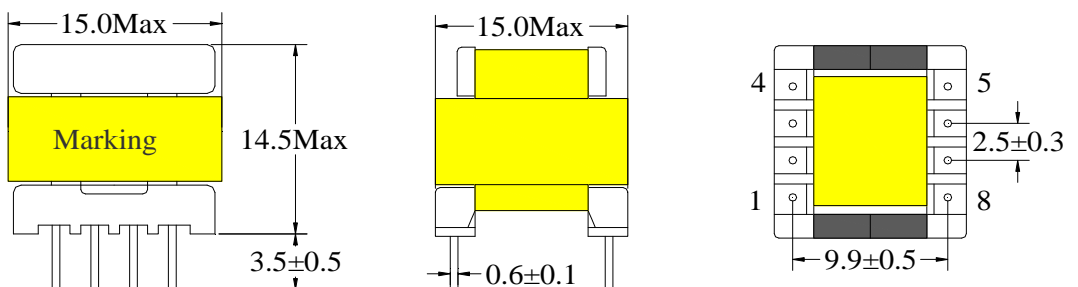
Shape:EE13

1Power:8W

2 Mounting Orientation:Horizontal

3 Size: 15 (W) * 15 (L) * 14.5 (H)

4 Effective Ae (mm²): 16.08



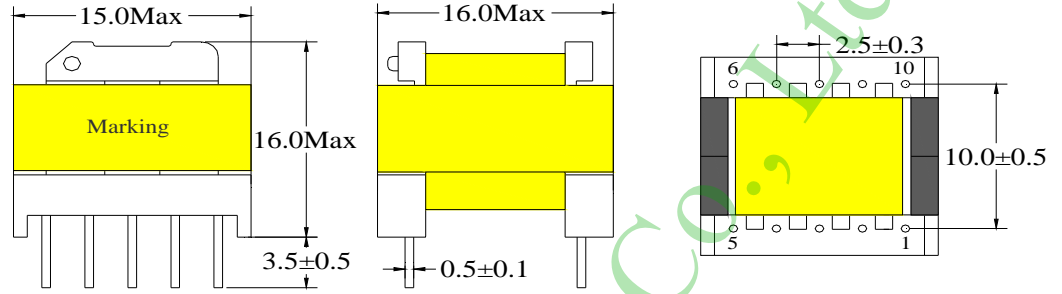


High-frequency transformer

Parameters/Dimensions:

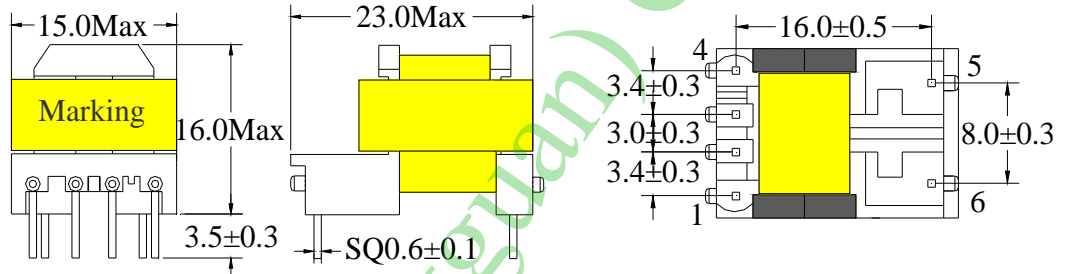
EE13 Type 6

Information:
 Shape:EE13
 1 Power:8W
 2 Mounting
 Orientation:Horizontal
 3 Size: 15 (W) * 16 (L) * 16 (H)
 4 Effective Ae (mm²): 16.08



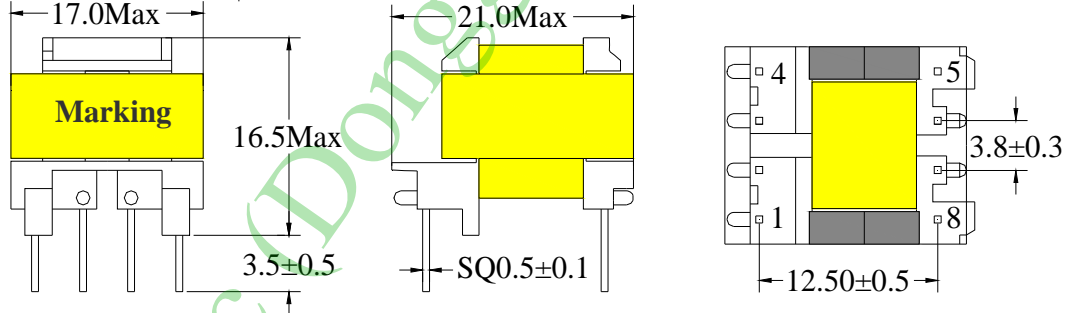
EE13 Type 7

Information:
 Shape:EE13
 1 Power:8W
 2 Mounting
 Orientation:Horizontal
 3 Size: 15 (W) * 23 (L) * 16 (H)
 4 Effective Ae (mm²): 16.08



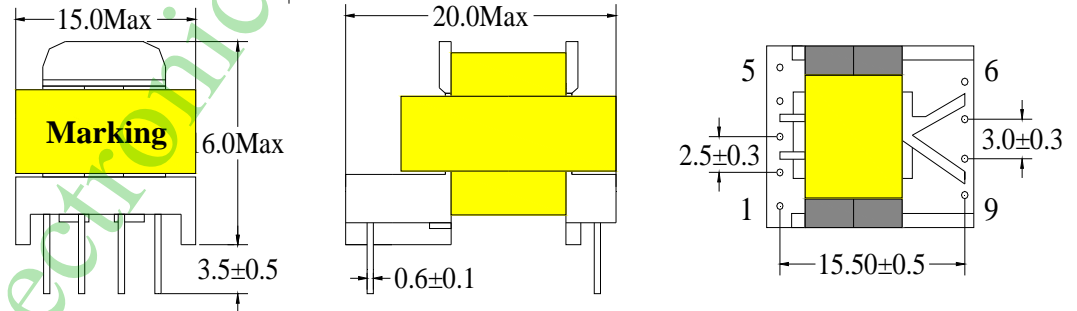
EE13 Type 8

Information:
 Shape:EE13
 1 Power:8W
 2 Mounting
 Orientation:Horizontal
 3 Size: 17 (W) * 21 (L) * 16.5 (H)
 4 Effective Ae (mm²): 16.08



EE13 Type 9

Information:
 Shape:EE13
 1 Power:8W
 2 Mounting
 Orientation:Horizontal
 3 Size: 17 (W) * 21 (L) * 16.5 (H)
 4 Effective Ae (mm²): 16.08



Note:

Bobbin type listed in the traditional style, transformer design parameters to customer needs or to inject prevail.

EE series high-frequency transformer features:

Lead space, easy winding wire. Applicable to a wide range of high frequency, wide operating voltage range, output power, good thermal stability

Uses:

Program-controlled switches are widely used in power supplies, LCD power supply, UPS power inverter power supply, computer power, energy-saving lamps and other fields.